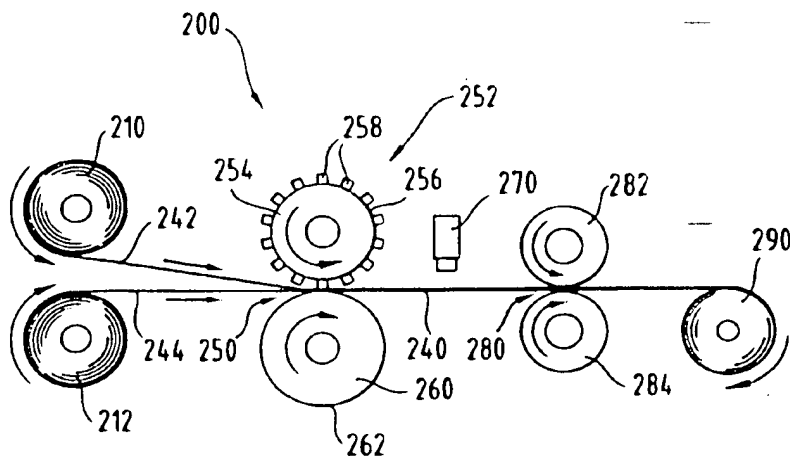




## INTERNATIONAL APPLICATION PUBLISHED UNDER THE PATENT COOPERATION TREATY (PCT)

(51) International Patent Classification <sup>o</sup> : B32B 31/00, A61F 13/15	AI	(11) International Publication Number: <b>WO 99/55532</b> (43) International Publication Date: 4 November 1999 (04.11.99)
<p>(21) International Application Number: PCT/US99/09095</p> <p>(22) International Filing Date: 27 April 1999 (27.04.99)</p> <p>(30) Priority Data: 98107681.5 28 April 1998 (28.04.98) EP</p> <p>(71) Applicant (for all designated States except US): THE PROCTER &amp; GAMBLE COMPANY [US/US]; One Procter &amp; Gamble Plaza, Cincinnati, OH 45202 (US).</p> <p>(72) Inventors; and (75) Inventors/Applicants (for US only): BUSAM, Ludwig [DE/DE]; Taistrasse 17, D-65510 Hunstetten (DE); DIVO, Michael [DE/DE]; Feldbergstrasse 14, D-61381 Friedrichsdorf (DE); FLOHR, Andreas [DE/DE]; Hochfelder Strasse 78, D-45478 Mühlheim an der Ruhr (DE); KECK, Ralph [DE/DE]; Hirschpfad 19, D-65812 Bad Soden (DE).</p> <p>(74) Agents: REED, T., David et al.; The Procter &amp; Gamble Company, 5299 Spring Grove Avenue, Cincinnati, OH 45217-1087 (US).</p>	<p>(81) Designated States: AE, AL, AM, AT, AT (Utility model), AU, AZ, BA, BB, BG, BR, BY, CA, CH, CN, CU, CZ, CZ (Utility model), DE, DE (Utility model), DK, DK (Utility model), EE, EE (Utility model), ES, FI, FI (Utility model), GB, GD, GE, GH, GM, HR, HU, ID, IL, IN, IS, JP, KE, KG, KP, KR, KZ, LC, LK, LR, LS, LT, LU, LV, MD, MG, MK, MN, MW, MX, NO, NZ, PL, PT, RO, RU, SD, SE, SG, SI, SK, SK (Utility model), SL, TJ, TM, TR, TT, UA, UG, US, UZ, VN, YU, ZA, ZW, ARIPO patent (GH, GM, KE, LS, MW, SD, SL, SZ, UG, ZW), Eurasian patent (AM, AZ, BY, KG, KZ, MD, RU, TJ, TM), European patent (AT, BE, CH, CY, DE, DK, ES, FI, FR, GB, GR, IE, IT, LU, MC, NL, PT, SE), OAPI patent (BF, BJ, CF, CG, CI, CM, GA, GN, GW, ML, MR, NE, SN, TD, TG).</p> <p>Published With international search report</p>	

(54) Title: METHOD FOR FORMING APERTURED LAMINATE WEB



## (57) Abstract

A method for forming an apertured laminate web (40) formed from a first material (42) and second material (44) which may be used as a topsheet (24) on a disposable absorbent article, such as a diaper. The second material (44) preferably has a hydrophilicity which is greater than the hydrophilicity of the first material (42). The first and second materials (42, 44) are fed through a nip (250) formed by a first pair of heated rollers one of the rollers (260) having a smooth outer surface and the other roller (254) having an outer surface with a plurality of projections extending from its outer surface. The first pair of rollers bond the materials together to form a laminate web (40) and create a plurality of apertures having a fused perimeter. Cooling the laminate web (40) to solidify the fused perimeter of the apertures. Feeding the laminate through a nip (252) formed by a second pair of rollers to break the solidified fused perimeter of the apertures.

*FOR THE PURPOSES OF INFORMATION ONLY*

Codes used to identify States party to the PCT on the front pages of pamphlets publishing international applications under the PCT.

AL	Albania	ES	Spain	LS	Lesotho	SI	Slovenia
AM	Armenia	FI	Finland	LI	Lithuania	SK	Slovakia
AT	Austria	FR	France	LU	Luxembourg	SN	Senegal
AU	Australia	GA	Gabon	LV	Latvia	SZ	Swaziland
AZ	Azerbaijan	GB	United Kingdom	MC	Monaco	TD	Chad
BA	Bosnia and Herzegovina	GI	Georgia	MD	Republic of Moldova	TG	Togo
BB	Barbados	GH	Ghana	MG	Madagascar	TJ	Tajikistan
BE	Belgium	GN	Guinea	MK	The former Yugoslav Republic of Macedonia	TM	Turkmenistan
BF	Burkina Faso	GR	Greece	ML	Mali	TR	Turkey
BG	Bulgaria	HU	Hungary	MN	Mongolia	TT	Trinidad and Tobago
BJ	Benin	IE	Ireland	MR	Mauritania	UA	Ukraine
BR	Brazil	IL	Israel	MW	Malawi	UG	Uganda
BY	Belarus	IS	Iceland	MX	Mexico	US	United States of America
CA	Canada	IT	Italy	NE	Niger	UZ	Uzbekistan
CF	Central African Republic	JP	Japan	NL	Netherlands	VN	Viet Nam
CG	Congo	KI	Kenya	NO	Norway	YU	Yugoslavia
CH	Switzerland	KG	Kyrgyzstan	NZ	New Zealand	ZW	Zimbabwe
CI	Côte d'Ivoire	KP	Democratic People's Republic of Korea	PL	Poland		
CM	Cameroon	KR	Republic of Korea	PT	Portugal		
CN	China	KZ	Kazakhstan	RO	Romania		
CU	Cuba	LC	Saint Lucia	RU	Russian Federation		
CZ	Czech Republic	LI	Liechtenstein	SD	Sudan		
DE	Germany	LK	Sri Lanka	SE	Sweden		
DK	Denmark	LR	Liberia	SG	Singapore		
EI	Iceland						

## METHOD FOR FORMING APERTURED LAMINATE WEB

### FIELD OF THE INVENTION

5 This invention relates to a method for forming an apertured laminate web, and more particularly to a method for forming an apertured laminate web suitable for use as a topsheet on a disposable absorbent article.

### BACKGROUND OF THE INVENTION

10 Disposable absorbent articles such as diapers and adult incontinence products are well known in the art. Such disposable absorbent articles collect and retain urine and fecal material deposited thereon by the wearer.

15 To date, most attempts in the art to handle the urine and fecal material collected and retained in the disposable absorbent article have been directed to handling urine. Dealing with fecal material collected by the disposable absorbent article is simply more difficult than dealing with urine, due to the complex rheology of low-viscosity fecal material.

20 Exemplary of the urine handling prior art are several attempts to provide disposable absorbent articles having a first topsheet which faces towards and contacts the body of the wearer, and a secondary topsheet under the first topsheet, which either absorbs urine, or transfers the urine to an underlying core for storage until the disposable absorbent article is removed from the wearer.

25 Typically, the first topsheet and secondary topsheet have different material properties. The secondary topsheet may have a smaller pore size than the first topsheet, to assist in transfer of the urine through the topsheet. The first topsheet may be hydrophobic and more resilient when wetted than the secondary topsheet, in order to pass fluids through the first topsheet to the secondary topsheet.

30 In yet another attempt in the prior art, the disposable absorbent article has a first topsheet, secondary topsheet and core. The secondary topsheet consists essentially of meltblown hydrophilic fibers and has a pore size greater than the pore size of the core. This arrangement allegedly allows the secondary topsheet to rapidly receive multiple liquid insults and distribute the liquid in the X-Y plane prior to absorption by the core. In yet another attempt, improved vertical wicking capability for urine has been  
35 allegedly achieved using inflated cellulose fibers which are free of a surface finish or are crosslinked to one another.

In another attempt in the prior art, an absorbent core suitable for acquiring and containing liquids such as urine in a particularly effective and efficient manner comprises multiple layers. The first layer, which is closest to the wearer, comprises hydrophilic fibrous material and has an acquisition zone of a relatively lower average density than other portions of this layer, in order to quickly acquire discharged liquids. Below the first layer is a liquid handling layer comprising a resilient, low density high void volume material that is moisture insensitive in order to rapidly acquire liquid insults into itself through the acquisition zone and distribute these liquids throughout the liquid handling layer to a storage layer. The storage layer comprises a combination of fibrous material and discrete particles of absorbent gelling material, and allows the liquid handling layer to be drained of the liquids it has acquired, so that the liquid handling layer may have sufficient capacity to acquire and distribute subsequent loadings of liquids.

Examples of such attempts in the prior art include U.S. Patents 4,047,531 issued September 13, 1977 to Karami; 4,798,603 issued January 17, 1989 to Meyer et al.; 5,057,409 issued August 6, 1991 to Chen et al.; 5,124,197 issued June 23, 1992 to Bernardin et al.; and 5,134,007 issued July 28, 1992 to Reising et al.

Of course, absorbent gelling materials are also now well known in the prior art for their urine handling capability. Absorbent gelling materials are polymeric materials capable of absorbing large quantities of fluids, such as urine, and retaining such absorbed fluids under moderate pressure. The effectiveness of the absorbent gelling materials is quite dependent upon the form, position, and weight percentage of the absorbent gelling materials which are incorporated into the core of the disposable absorbent article.

Recent attempts have been made in the art to provide absorbent gelling materials which have the ability to swell against pressure. These teachings allege to provide the advantage that the absorbent gelling materials absorb fluid under actual pressures exerted by the body during use. Yet other teachings in the art provide absorbent gelling materials having a particular free swell rate and absorbency under load. Alleged advantages of such an absorbent gelling materials are lower volume and mass with approximately the same absorbent capacity, the ability to rapidly absorb a discharged liquid under pressures typically encountered during use, and the ability to retain the absorbed liquid under pressures typically encountered during use.

In another prior attempt, U.S. Patent 4,704,112 issued to Suzuki et al. discloses a facing comprising a nonwoven fabric having two different layers of different fiber compositions. The upper layer has a pattern of apertures therein and is made from

hydrophobic fibers and the lower layer has no apertures and is made from hydrophilic fibers.

Examples of such attempts in the prior art include U.S. Patents 5,147,343 issued September 15, 1992 to Kellenberger and 5,149,335 issued September 22, 1992 to Kellenberger et al.

However, all of these attempts to handle urine do little, if anything, to improve handling of low-viscosity fecal material which may also be present in the disposable absorbent article. Attempts to deal with fecal material include providing a first topsheet which conforms closely to the wearer and has an aperture. The aperture is hopefully registered with the anal opening, so that fecal material passes therethrough into a void space. The first topsheet may comprise various elastic panels in order to closely conform to the skin of the wearer, and/or may have linear elastic strands. Improvements have been made in this area of the prior art, such as optimizing the material properties of the first topsheet. Such optimization makes the first topsheet more comfortable to the wearer and allows a single disposable absorbent article to fit a larger range of sizes of wearers.

Yet other attempts have been made in this area of the prior art to provide an absorbent core with a hole therein, in order to receive the fecal material. The hole may be oblate shaped, so that it is longer and narrower than the aperture in the first topsheet, or may be diamond shaped. The hole in the core may be positioned below an aperture which has elastic strips around its edge.

Improvements to this genre of the prior art disposable absorbent articles also include the addition of spacers. Spacers may be interposed between the first topsheet and the core, in order to ensure a void space is present to receive the fecal material.

Yet other attempts have been made in this genre of the prior art to provide barriers which limit the movement of fecal material to particular portions of the disposable absorbent article. The barriers limit the contact of the fecal material to a lesser portion of the skin of the wearer, than a comparable disposable absorbent article which has no barriers.

Still other attempts in the prior art provide barrier leg cuffs which are upstanding from the plane of the topsheet. The barrier leg cuffs prevent fecal material from breaching the perimeter of the disposable absorbent article.

Examples of such attempts to handle fecal material include U.S. Patent 4,892,536 issued January 9, 1990 to DesMarais et al.; U.S. Patent 4,909,803 issued March 20, 1990 to Aziz et al.; U.S. Patent 4,968,312 issued November 6, 1990 to Khan; commonly assigned U.S. Patent 4,990,147 issued February 5, 1991 to Freeland; commonly assigned U.S. Patent 5,037,416 issued August 6, 1991 to Allen et al.; U.S.

Patent 5,062,840 issued November 5, 1991 to Holt et al.; commonly assigned U.S. Patent 5,171,236 issued December 15, 1992 to Dreier et al.; and European Patent Application 0,355,740 A2 published February 28, 1990 to Enloe.

However, none of these attempts to handle fecal material solve the problem of low-viscosity fecal material which is predominately prevalent in younger children, particularly those who are breast fed. Low-viscosity fecal material easily migrates within the disposable absorbent article under the influences of gravity and motion or pressure by the wearer.

The migration of the fecal material often moves it towards the perimeter of the disposable absorbent article, increasing the likelihood of leakage. The migration of the fecal material also smears it against the skin of the wearer, making cleanup more difficult. In order to clean the wearer, the caretaker must wipe the entire area of the skin which has encountered the fecal material and typically has to deal with a relatively large soiled area.

One attempt in the art to handle low-viscosity fecal material is found in U.S. Patent Application Serial No. 08/076,713 filed June 11, 1993 in the name of Roe. This application is a disposable absorbent article having a first topsheet with a high trans-topsheet penetration overlaying a secondary topsheet having a lesser trans-topsheet penetration.

#### BRIEF SUMMARY OF THE INVENTION

The invention is a method for forming an apertured laminate web formed from a first material and second material which may be used as a topsheet on a disposable absorbent article, such as a diaper. The second material preferably has a hydrophilicity which is greater than the hydrophilicity of the first material. The first and second materials are fed through a nip formed by a first pair of heated rollers one of the rollers having a smooth outer surface and the other roller having an outer surface with a plurality of projections extending from it's outer surface. The first pair of rollers bond the materials together to form a laminate web and create a plurality of apertures having a fused perimeter. Cooling the laminate web to solidify the fused perimeter of the apertures. Feeding the laminate through a nip formed by a second pair of rollers to break the solidified fused perimeter of the apertures.

#### BRIEF DESCRIPTION OF THE DRAWINGS

While the specification concludes with claims pointing out and distinctly claiming the present invention, it is believed the same will be better understood by the

following drawings taken in conjunction with the accompanying specification wherein like components are given the same reference number.

Figure 1 is a top plan view, shown partially in cutaway, of a disposable diaper having a topsheet constructed of the laminate web of the present invention.

Figure 2 is a cross-sectional view of the laminate web topsheet shown in Figure 1.

Figure 3 is a cross-sectional view of another embodiment of the laminate web of the present invention.

Figure 4 is a top plan view of a disposable diaper having a topsheet constructed of another embodiment of the laminate web of the present invention.

Figure 5 is a simplified schematic illustration of a process for forming the laminate web of the present invention.

Figure 6 is a simplified schematic illustration of another process for forming the laminate web of the present invention illustrated in Figure 4.

Figure 7 is a simplified overhead plan view of a portion of the process for simultaneously forming multiple laminate webs of the present invention.

#### DETAILED DESCRIPTION OF THE INVENTION

As used herein, the term "absorbent article" refers to devices which absorb and contain body exudates, and, more specifically, refers to devices which are placed against or in proximity to the body of the wearer to absorb and contain the various exudates discharged from the body. The term "disposable" is used herein to describe absorbent articles which are not intended to be laundered or otherwise restored or reused as an absorbent article (i.e., they are intended to be discarded after a single use and, preferably, to be recycled, composted or otherwise disposed of in an environmentally compatible manner). A "unitary" absorbent article refers to absorbent articles which are formed of separate parts united together to form a coordinated entity so that they do not require separate manipulative parts like a separate holder and liner.

An absorbent article utilizing the laminate web of the present invention as a topsheet thereon is the unitary disposable absorbent article, diaper 20, shown in Figure 1. As used herein, the term "diaper" refers to an absorbent article generally worn by infants and adult incontinent persons and is worn about the lower torso of the wearer. The laminate web of the present invention may also be used as a topsheet on other absorbent articles such as incontinence briefs, incontinence undergarments, absorbent inserts, diapers holders and liners, feminine hygiene garments, and the like.

While the present invention will be described in the context of providing a laminate web suitable for use as a topsheet on a disposable absorbent article, the present invention is in no way limited to such application. The description of the laminate web and its use as a topsheet will allow one skilled in the art to readily adapt the invention to other devices and for other uses.

Figure 1 is a plan view of the diaper 20 of the present invention in its flat-out, uncontracted state (i.e., with elastic induced contraction pulled out) with portions of the structure being cut-away to more clearly show the construction of the diaper 20 and with the portion of the diaper 20 which faces or contacts the wearer, the inner surface, oriented towards the viewer. As shown in Figure 1, the diaper 20 preferably comprises a liquid pervious topsheet 24; a liquid impervious backsheet 26 joined with the topsheet 24; and an absorbent core 28 intermediate the topsheet 24 and the backsheet 26. The diaper 20 may further comprise elasticized side panels (not shown); elasticized leg cuffs (not shown); an elastic waist feature (not shown); and a fastening system with tape tabs generally multiply designated as 36.

The diaper 20 is shown in Figure 1 to have a first waist region 27 juxtaposed with the front of the wearer while the diaper 20 is being worn, a second waist region 29 opposed to the first waist region 27 and juxtaposed with the back of the wearer while the diaper 20 is being worn, a crotch region 31 positioned between the first waist region 27 and the second waist region 29, and a periphery which is defined by the outer edges of the diaper 20 in which the longitudinal edges are designated 33 and the end edges are designated 35. The inner surface of the diaper 20 comprises that portion of the diaper 20 which is adjacent to the wearer's body during use (i.e., the inner surface generally is formed by at least a portion of the topsheet 24 and other components joined to the topsheet 24). The outer surface comprises that portion of the diaper 20 which is positioned away from the wearer's body (i.e., the outer surface generally is formed by at least a portion of the backsheet 26 and other components joined to the backsheet 26) during use.

Figure 1 shows an embodiment of the diaper 20 in which the topsheet 24 and the backsheet 26 have length and width dimensions generally larger than those of the absorbent core 28. The topsheet 24 and the backsheet 26 extend beyond the edges of the absorbent core 28 to thereby form the periphery of the diaper 20. While the topsheet 24, the backsheet 26, and the core 28 may be assembled in a variety of well known configurations, preferred diaper configurations are described generally in U.S. Patent 3,860,003 entitled "Contractable Side Portions for Disposable Diaper" which issued to Kenneth B. Buell on January 14, 1975; and U.S. Patent 5,151,092, "Absorbent Article With Dynamic Elastic Waist Feature Having A Predisposed



Resilient Flexural Hinge", issued to Kenneth B. Buell et al. September 29, 1992; each of which is incorporated herein by reference.

The absorbent core 28 may be any absorbent means which is generally compressible, conformable, non-irritating to the wearer's skin, and capable of absorbing and retaining liquids such as urine and other certain body exudates. As shown in Figure 1, the absorbent core 28 has a garment surface, a body surface, side edges, and waist edges. The absorbent core 28 may be manufactured in a wide variety of sizes and shapes (e.g., rectangular, hourglass, "T"-shaped, asymmetric, etc.) and from a wide variety of liquid-absorbent materials commonly used in disposable diapers and other absorbent articles such as comminuted wood pulp which is generally referred to as airfelt. Examples of other suitable absorbent materials include creped cellulose wadding; meltblown polymers including coform; chemically stiffened, modified or cross-linked cellulosic fibers; tissue including tissue wraps and tissue laminates; absorbent foams; absorbent sponges; superabsorbent polymers; absorbent gelling materials; or any equivalent material or combinations of materials.

The configuration and construction of the absorbent core 28 may also be varied (e.g., the absorbent core 28 may have varying caliper zones, a hydrophilic gradient, a superabsorbent gradient, or lower average density and lower average basis weight acquisition zones; or may comprise one or more layers or structures). The total absorbent capacity of the absorbent core 28 should, however, be compatible with the design loading and the intended use of the diaper 20. Further, the size and absorbent capacity of the absorbent core 28 may be varied to accommodate wearers ranging from infants through adults.

Exemplary absorbent structures for use as the absorbent core 28 are described in U.S. Patent 4,610,678 entitled "High-Density Absorbent Structures" issued to Weisman et al. on September 9, 1986; U.S. Patent 4,673,402 entitled "Absorbent Articles With Dual-Layered Cores" issued to Weisman et al. on June 16, 1987; U.S. Patent 4,888,231 entitled "Absorbent Core Having A Dusting Layer" issued to Angstadt on December 19, 1989; and U.S. Patent 4,834,735, entitled "High Density Absorbent Members Having Lower Density and Lower Basis Weight Acquisition Zones", issued to Alemany et al. on May 30, 1989. Each of these patents is incorporated herein by reference.

The backsheet 26 is positioned adjacent the garment surface of the absorbent core 28 and is preferably joined thereto by attachment means (not shown) such as those well known in the art. As used herein, the term "joined" encompasses configurations whereby an element is directly secured to the other element by affixing the element directly to the other element, and configurations whereby the element is

indirectly secured to the other element by affixing the element to intermediate member(s) which in turn are affixed to the other element.

For example, the backsheet 26 may be secured to the absorbent core 28 by a uniform continuous layer of adhesive, a patterned layer of adhesive, or an array of separate lines, spirals, or spots of adhesive. Adhesives which have been found to be satisfactory are manufactured by H. B. Fuller Company of St. Paul, Minnesota and marketed as HL-1258. The attachment means will preferably comprise an open pattern network of filaments of adhesive as is disclosed in U.S. Patent 4,573,986 entitled "Disposable Waste-Containment Garment", which issued to Minetola et al. on March 4, 1986, more preferably several lines of adhesive filaments swirled into a spiral pattern such as is illustrated by the apparatus and methods shown in U.S. Patent 3,911,173 issued to Sprague, Jr. on October 7, 1975; U.S. Patent 4,785,996 issued to Ziecker, et al. on November 22, 1978; and U.S. Patent 4,842,666 issued to Werenicz on June 27, 1989. Each of these patents is incorporated herein by reference. Alternatively, the attachment means may comprise heat bonds, pressure bonds, ultrasonic bonds, dynamic mechanical bonds, or any other suitable attachment means or combinations of these attachment means as are known in the art.

The backsheet 26 is impervious to liquids (e.g., urine) and is preferably manufactured from a thin plastic film, although other flexible liquid impervious materials may also be used. As used herein, the term "flexible" refers to materials which are compliant and will readily conform to the general shape and contours of the human body.

The backsheet 26 prevents the exudates absorbed and contained in the absorbent core 28 from wetting articles which contact the diaper 20 such as bedsheets and undergarments. The backsheet 26 may thus comprise a woven or nonwoven material, polymeric films such as thermoplastic films of polyethylene or polypropylene, or composite materials such as a film-coated nonwoven material. Preferably, the backsheet 26 is a thermoplastic film having a thickness of about 0.012 mm (0.5 mil) to about 0.051 mm (2.0 mils). Particularly preferred materials for the backsheet 26 include RR8220 blown films and RR5475 cast films as manufactured by Tredegar Industries, Inc. of Terre Haute, Indiana. The backsheet 26 is preferably embossed and/or matte finished to provide a more clothlike appearance. Further, the backsheet 26 may permit vapors to escape from the absorbent core 28 (i.e., be breathable) while still preventing exudates from passing through the backsheet 26.

Referring now to Figures 1 and 2, the topsheet 24 is juxtaposed with, but not necessarily adjacent the body surface of the absorbent core 28, and is preferably joined to the backsheet 26 or absorbent core 28 by means such as those well known in

the art. Suitable attachment means are described above with respect to joining the backsheet 26 to the absorbent core 28. In a preferred embodiment of the present invention, the topsheet 24 and the backsheet 26 are joined directly to each other in the diaper periphery.

5 The topsheet 24 comprises a laminate web 40 constructed of two different and distinct liquid pervious materials 42 and 44. The first material 42 is compliant, soft feeling, and non-irritating to the wearer's skin. The first material 42 is preferably a liquid pervious nonwoven web. The nonwoven web is a fibrous material formed from fusible polymeric fibers or filaments. The nonwoven web can be formed from any of  
10 the following polymers: polyamides, polypropylene, polypropylene copolymers, bi-component, polyethylene, polyethylene-terephthalate, combinations thereof, and the like. Suitable materials include dry laid and carded webs, air laid and random webs, spunbonded webs, meltblown webs, spunlaced webs, and through-air or calendar bonded webs. Alternatively, the nonwoven web can be latex-bonded via saturation  
15 bonding, gravure printing, screen printing, spray or foam bonding. Still further, the nonwoven web may be bonded with combinations of the above techniques, such as latex bonded and calendar bonded webs or other suitable combinations. The fibers can be of various sizes with fibers having a denier between about 1 and 18 being preferred. The first material 42 preferably has a basis weight of from about 5 gsm to  
20 100 gsm, more preferably of from about 5 gsm to about 60 gsm. The first material 42 preferably has a caliper of from about 0.1 mm to 5.0 mm, and more preferably of from about 0.1 mm to about 2.0 mm.

The first material 42 has a plurality of apertures 46 with an effective aperture size of at least 0.2 square millimeters, more preferably, the plurality of apertures have  
25 an effective aperture size of at least 0.5 square millimeters, even more preferably, the plurality of apertures have an effective aperture size of at least 1.0 square millimeter, and most preferably, the plurality of apertures have an effective aperture size of at least 2.0 square millimeters. Effective apertures are those which have a gray level of  
30 18 or less on a standard gray level scale of 0-255, under the image acquisition parameters described below.

The first material 42 preferably has an effective open area of at least 10 percent, more preferably the first material 42 has an effective open area of at least 15 percent,  
35 even more preferably, the first material 42 has an effective open area of at least 20 percent, and most preferably the first material 42 has an effective open area of at least 25 percent.

The effective aperture size and effective open area are determined by the following procedure using the image analysis described below. The procedure has

three principal steps: image acquisition, i.e., obtaining representative images of areas on the surface of the first material 42; image measurement, i.e., measuring the percentage open area of an image and of individual apertures and their perimeters; and data analysis, i.e., exporting the percentage open area, individual aperture area, and perimeter measurements to a spreadsheet where frequency distributions, sum of area distributions, and hydraulic radius computations are made.

An image analysis system having a frame grabber board, microscope, camera and image analysis software is utilized. A model DT2855 frame grabber board available from Data Translation of Marlboro, Mass. is provided. A VH5900 monitor microscope, a video camera, having aVH50 lens with a contact type illumination head available from the Keyence Company of Fair Lawn, N.J. are also provided and used to acquire an image to be saved to computer file. The Keyence microscope acquires the image and the frame grabber board converts the analog signal of this image into computer readable digital format. The image is saved to computer file and measured using suitable software such as the Optimas Image Analysis software, version 3.1, available from the BioScan Company of Edmonds, Wash. In order to use the Optimas Image Analysis software, the computer should have Windows software, version 3.0 or later, available from the Microsoft Corporation of Redmond, Wash. And also have a CPU at least equivalent to the Intel 80386. Any suitable desk top PC may be used, with a 486 DX33 type PC having been found to be particularly suitable. Images being saved to and recalled from file were displayed on a Sony Trinitron monitor model PVM-1343MO with a final display magnification of about 50X.

The image acquisition step, noted above requires 10 different regions from a representative sample of material to be tested. Each region is rectangular, measuring about 5.8 millimeters by 4.2 millimeters. The sample is placed on a black mat board to increase the contrast between the apertures and the portion of the sample which defines the apertures. The mean gray level and standard deviation of the black mat board were 16 and 4, respectively.

Images are acquired with room lights off using the Keyence monitor microscope mounted on a copystand directly above the sample. The Keyence light source illuminating the sample is adjusted and monitored with the Optimas software to measure the mean gray level and standard deviation of a 0.3 density wedge on a Kodak Gray Scale available from Eastman Kodak Company of Rochester, New York. The control of Keyence light source is adjusted so that the mean gray level of the illuminated wedge is  $111 \pm 1$  and the standard deviation is  $10 \pm 1$ . All images were acquired during a single time period, and the Keyence light source is monitored by

measuring the mean gray level and standard deviation of the wedge throughout the image acquisition process.

In measuring an individual aperture, only the effective aperture size is of interest. Measuring the effective aperture size quantifies the aperture size intended to contribute to the porosity of the material, and account for contributions of fibers and fiber bundles which traverse an area intended to be an aperture. An effective aperture is any hole through the material having a gray level less than or equal to 18 using image acquisition parameters as described herein. Thus, an intended aperture may be divided into plural effective apertures by traverse fibers.

10 The image analysis software is calibrated in millimeters by a ruler image acquired from the sample images. A 3 by 3 pixel averaging filter found in the Optimas 3.1 Image menu is applied to each saved image to reduce noise. The apertures are detected in the gray level range of 0 through 18. An aperture which is not fully contained within the 5.8 by 4.2 viewing area is not considered in the  
15 individual-area-and-perimeter measurements. Therefore, area and perimeter averages and distributions are not affected by apertures which are not wholly contained within the field of view.

However, individual apertures which could not be fully viewed in the image are included in the percentage open area calculation. This difference occurs because the  
20 percent open area is simply the image of pixel ratios from 0 through 18 to the total number of pixels in the image. Areas having a gray level 19 or greater were not counted in the open area calculation.

The percentage open area for the average of 10 images for each material is measured using the Optimas Image Analysis software. The percentage open area is  
25 defined as the ratio of the number of pixels having a gray level from 0 through 18 to the total number of pixels for the image. The percentage open area is measured for each image representing one particular region from a sample. The percentage open area from each of the 10 individual images is then averaged to yield a percentage open area for the entire sample.

30 The data analysis is conducted by an Excel spreadsheet, also available from the Microsoft Corporation of Redmond, Washington. The Excel spreadsheet organized the percentage open area, aperture area, and aperture perimeter measurements obtained from the Optimas software. Sample averages and standard deviations, size and frequency distributions of individual aperture areas and hydraulic radius  
35 computations (area divided by perimeter) for individual apertures are obtained using the spreadsheet.

Distributions of individual aperture area are also computed using the Excel spreadsheet. The apertures are sorted into bins of certain size ranges. The number of aperture areas falling into certain size ranges of interest is determined as well as the sum of the areas within each range. The ranges are set in increments of 0.05 square millimeters. These areas are expressed as a percentage of the total open area of the sample. The frequency and sum of the area distributions are obtained by combining individual aperture measurements from all 10 images for each sample.

The apertures 46 in the first material 42 can vary in size, shape and pattern. Examples of some possible shapes include but are not limited to circular, square, rectangular, oval, triangular, dog-bone, star, oblong, etc. The apertures 46 can be arranged in either a systematic, uniform or random pattern. A systematic pattern, with similarly sized apertures is preferred.

The second material 44 is compliant, soft feeling, and non-irritating to the wearer's skin. The second material 44 is preferably a liquid pervious nonwoven web. The nonwoven web is a fibrous material formed from fusible polymeric fibers or filaments. The nonwoven web can be formed from any of the following polymers: polyamides, polypropylene, polypropylene copolymers, bi-component, polyethylene, polyethylene-terephthalate, combinations thereof, and the like. Suitable materials include dry laid and carded webs, air laid and random webs, spunbonded webs, meltblown webs, spunlaced webs, and through-air or calendar bonded webs. Alternatively, the nonwoven web can be latex-bonded via saturation bonding, gravure printing, screen printing, spray or foam bonding. The fibers can be of various sizes with fibers having a denier between about 1 and 18 being preferred. The second material 44 preferably has a basis weight of from about 5 gsm to 100 gsm, more preferably of from about 5 gsm to about 60 gsm. The second material 44 preferably has a caliper of from about 0.1 mm to 5.0 mm, and more preferably of from about 0.1 mm to about 2.0 mm.

The second material 44 has a plurality of apertures 48 with an effective aperture size of at least 0.2 square millimeters, more preferably, the plurality of apertures have an effective aperture size of at least 0.5 square millimeters, even more preferably, the plurality of apertures have an effective aperture size of at least 1.0 square millimeter, and most preferably, the plurality of apertures have an effective aperture size of at least 2.0 square millimeters. Effective apertures are those which have a gray level of 18 or less on a standard gray level scale of 0-255, under the image acquisition parameters described below.

The second material 44 preferably has an effective open area of at least 10 percent, more preferably the second material 44 has an effective open area of at least

15 percent, even more preferably, the second material 44 has an effective open area of at least 20 percent, and most preferably the second material 44 has an effective open area of at least 25 percent. The effective aperture size and effective open area are determined by the procedure described above.

5 The apertures 48 in the second material 44 can vary in size, shape and pattern. Examples of some possible shapes include but are not limited to circular, square, rectangular, oval, triangular, dog-bone, star, oblong, etc. The apertures 48 can be arranged in either a systematic, uniform or random pattern. A systematic pattern, with similarly sized apertures is preferred.

10 Preferably, the apertures 46 in the first material 42 are directly aligned with the apertures 48 in the second material 44. Aligning the apertures in the first and second materials allows urine and fecal material to readily penetrate the laminate web.

The second material 44 preferably has a hydrophilicity which is greater than the hydrophilicity of the first material 42. Thus, a relatively hydrophobic material, the ~~first material, is positioned adjacent the wearers skin and a relatively~~ hydrophilic material is positioned adjacent to the absorbent core providing fast urine acquisition and isolation of the wearer's skin from liquids contained in the absorbent core. ~~Having the relatively hydrophobic material adjacent to the wearer's skin prevents~~ fecal material from being de-watered prematurely thereby immobilizing the fecal material on the skin oriented outer surface of the topsheet hindering it from penetrating.

In the embodiment shown in Figures 1 and 2, the second material 44 has a width greater than that of the first material 42. While the width of the first material 42 is less than the width of the second material 44, the first material 42 preferably has a width at least equal to that of the underlying absorbent core, and more preferably, the first material 42 has a width greater than that of the underlying absorbent core. ~~Furthermore, the second material 44 is preferably apertured only in the portion which is coterminous with the first material 42. However, the portion of the second material~~ 44 which extends beyond the edges of the first material may be apertured as well if desired.

In the embodiment shown in Figure 3, the laminate web 60 comprises a first material 62 and a second material 64 having the same widths. The laminate web 60 ~~comprises a central zone 70 and a pair of outer zone 72. In the embodiment shown in~~ Figure 3, the laminate web 60 is apertured within the central zone 70 but is not apertured within the outer zones 72. However, the laminate web 60 may be apertured in the outer zones 72 if desired.

Referring now to Figure 4, the topsheet 124 on the diaper 120 comprises laminate web 140. Laminate web 140 comprises a first material 142 and a second material 144 secured to the first material 142. As can be seen in Figure 4, the laminate web 140 is only apertured in the rear or back waist region 129 of the diaper 120. The laminate web 140 may be apertured in any suitable manner to provide the desired benefits in certain portions of the diaper 120. For example, the laminate web 140 may be apertured in only the crotch region 131 or only the front waist region 127, any combination of two regions, portions of any one region, or portions of several regions.

Since the first material will be the material adjacent the wearer's skin in use, the first material is preferably soft. With thermally bonded nonwoven webs, the amount of bonded area of the web is a factor in determining the softness and also the tensile strength of the web. As the bonded area of the web increases, the softness decreases and the tensile strength increases. In contrast, as the bonded area of the web decreases, the softness increases and the tensile strength decreases. In order to provide a laminate web which is both soft and strong, it is preferred that the first material have a relatively lower bonded area to provide softness and the second material have a relatively higher bonded area to provide strength. The first material preferably has a bonded area of from about 0% to about 25%, more preferably from about 5% to about 15%. The second material preferably has a bonded area of from about 0% to about 35%, more preferably from about 10% to about 20%.

Another factor in determining the softness and strength of the web is type of fibers. Thus, the first material may be composed of a fiber providing the desired softness and the second material may be composed of a fiber providing the desired strength.

Referring now to Figure 5 there is shown a schematic illustration of a process 200 for forming the laminate web of the present invention. A first material 242 is unwound from a supply roll 210 and travels in the direction indicated by the arrows associated therewith as the supply roll 210 rotates in the direction indicated by the arrows associated therewith. A second material 244 is unwound from a supply roll 212 and travels in the direction indicated by the arrows associated therewith as the supply roll 212 rotates in the direction indicated by the arrows associated therewith.

Instead of being unwound from a supply roll the first and second materials may be fed directly from a forming apparatus, e.g., a carding apparatus, a carding and calendaring apparatus, a spunbonding apparatus, a spunbonding and calendaring apparatus, a meltblowing apparatus, a meltblowing and calendaring apparatus, to the nip 250.



The first material 242 and the second material 244 are fed through the nip 250 of the aperturing apparatus 252 formed by rollers 254 and 260. Roller 260 has a smooth outer surface 262. Roller 260 is preferably constructed of steel. Roller 260 may be constructed of other materials, for example, rubber. Roller 254 includes a plurality of projections 258 extending about its entire outer surface 256. Roller 254 is preferably constructed of steel.

Rollers 254 and 260 have the same velocity. Rollers 254 and 260 are heated. Preferably roller 254 is heated to have a higher temperature than roller 260. As the first and second materials 242 and 244 pass through the nip 250 they are simultaneously bonded together and apertured. As the webs are apertured, the first and second materials are heated above their melting points such that at least a portion of the apertures perimeter is fused.

After the first and second materials have been apertured and bonded together by apparatus 252, the laminate web 240 is then cooled to set the laminate web after leaving apparatus 252. In Figure 5, the laminate web is shown to be cooled by blowing cold air onto the web 240 from blower 270. Of course other known techniques may be used to cool the web 240. Cooling the laminate web also solidifies the fused material extending about the perimeter of the apertures.

After cooling, the web is fed through the nip 280 formed by rollers 282 and 284. Rollers 282 and 284 have the same velocity. Rollers 282 and 284 have smooth outer surfaces. Rollers 282 and 284 are preferably constructed of steel. However, other suitable materials may also be used to construct rollers 282 and 284. Rollers 282 and 284 break the solid fused material which extends about the perimeter of the apertures. Breaking the solid fused material increases the softness of the laminate web.

The peripheral linear speed of rollers 282 and 284 is preferably greater than the peripheral linear speed of rollers 254 and 260 tensioning the material between the two sets of rollers. By adjusting the speeds of the rollers, the material is tensioned such that it necks a desired amount.

From the nip 280 the laminate 240 is wound on take-up roll 290.

Referring now to Figure 6, there is illustrated a process 300 for forming the laminate web 140 illustrated in Figure 4. Process 300 is identical to process 200 except that the projections 358 extend about only a portion of the outer surface 356 of roller 254. This process apertures only a portion of the laminate web. Of course any pattern of projections may be selected to create the desired aperturing configuration.

Referring now to Figure 7, there is illustrated a process 400 for simultaneously forming multiple laminate webs of the present invention. A first material 442 and a

second material 444 are fed toward the nip of the aperturing apparatus 452 formed by rollers 454 and 460. First material 442 is slit into multiple strips 443 by knives 490. In the embodiment shown in Figure 7, multiple strips 445 of the second material 444 are also fed toward the nip of aperturing apparatus 452. The multiple strips 445 of second material 444 may be slit by knives similar to first material 442 or may be fed from multiple supply rolls.

The diaper 20 may further comprise elasticized leg cuffs (not shown) which provide improved containment of liquids and other body exudates. Each elasticized leg cuff may comprise several different embodiments for reducing the leakage of body exudates in the leg regions. (The leg cuff can be and is sometimes also referred to as leg bands, side flaps, barrier cuffs, or elastic cuffs.) U.S. Patent 3,860,003 describes a disposable diaper 20 which provides a contractible leg opening having a side flap and one or more elastic members to provide an elasticized leg cuff (gasketing cuff). Commonly assigned U.S. Patent 4,909,803 entitled "Disposable Absorbent Article Having Elasticized Flaps" issued to Aziz et al. on March 20, 1990, describes a disposable diaper 20 having "stand-up"-elasticized flaps (barrier cuffs) to improve the containment of the leg regions. Commonly assigned U.S. Patent 4,695,278 entitled "Absorbent Article Having Dual Cuffs" issued to Lawson on September 22, 1987, describes a disposable diaper 20 having dual cuffs including a gasketing cuff and a barrier cuff.

The diaper 20 preferably further comprises an elastic waist feature (not shown) that provides improved fit and containment. The elastic waist feature is that portion or zone of the diaper 20 which is intended to elastically expand and contract to dynamically fit the wearer's waist. The elastic waist feature at least extends longitudinally outwardly from at least one of the waist edges of the absorbent core 28 and generally forms at least a portion of the end edge of the diaper 20. Disposable diapers are generally constructed so as to have two elastic waist features, one positioned in the first waist region 27 and one positioned in the second waist region 29, although diapers can be constructed with a single elastic waist feature. Further, while the elastic waist feature or any of its constituent elements can comprise a separate element affixed to the diaper 20, the elastic waist feature is preferably constructed as an extension of other elements of the diaper 20 such as the backsheet 26 or the topsheet 24, preferably both the backsheet 26 and the topsheet 24. The elasticized waistband 34 may be constructed in a number of different configurations including those described in U.S. Patent 4,515,595 issued to Kievit et al. on May 7, 1985 and the above referenced U.S. Patent Application Serial No 07/715,152; each of these references being incorporated herein by reference.

The diaper 20 also comprises a fastening system 36 which forms a side closure which maintains the first waist region 27 and the second waist region 29 in an overlapping configuration such that lateral tensions are maintained around the circumference of the diaper 20 to maintain the diaper 20 on the wearer. Exemplary fastening systems are disclosed in U.S. Patent 4,846,815 entitled "Disposable Diaper Having An Improved Fastening Device" issued to Scripps on July 11, 1989; U.S. Patent 4,894,060 entitled "Disposable Diaper With Improved Hook Fastener Portion" issued to Nestegard on January 16, 1990; commonly assigned U.S. Patent 4,946,527 entitled "Pressure-Sensitive Adhesive Fastener And Method of Making Same" issued to Battrell on August 7, 1990; commonly assigned U.S. Patent 3,848,594 entitled "Tape Fastening System for Disposable Diaper" issued to Buell on November 19, 1974; commonly assigned U.S. Patent B1 4,662,875 entitled "Absorbent Article" issued to Hirotsu et al. on May 5, 1987; and the hereinbefore referenced U.S. Patent Application 07/715,152; each of which is incorporated herein by reference.

The diaper 20 is preferably applied to a wearer by positioning one of the waist regions, preferably the second waist region 29, under the wearer's back and drawing the remainder of the diaper 20 between the wearer's legs so that the other waist region, preferably the first waist region 27, is positioned across the front of the wearer. The tape tabs 36 of the fastening system are then released from the release portion. The diaperer then wraps the elasticized side panel around the wearer, while still grasping the tab portion. The fastening system is secured to the outer surface of the diaper 20 to effect two side closure.

While particular embodiments of the present invention have been illustrated and described, it would be obvious to those skilled in the art that various other changes and modifications can be made without departing from the spirit and scope of the invention. It is therefore intended to cover in the appended claims all such changes and modifications that are within the scope of this invention.

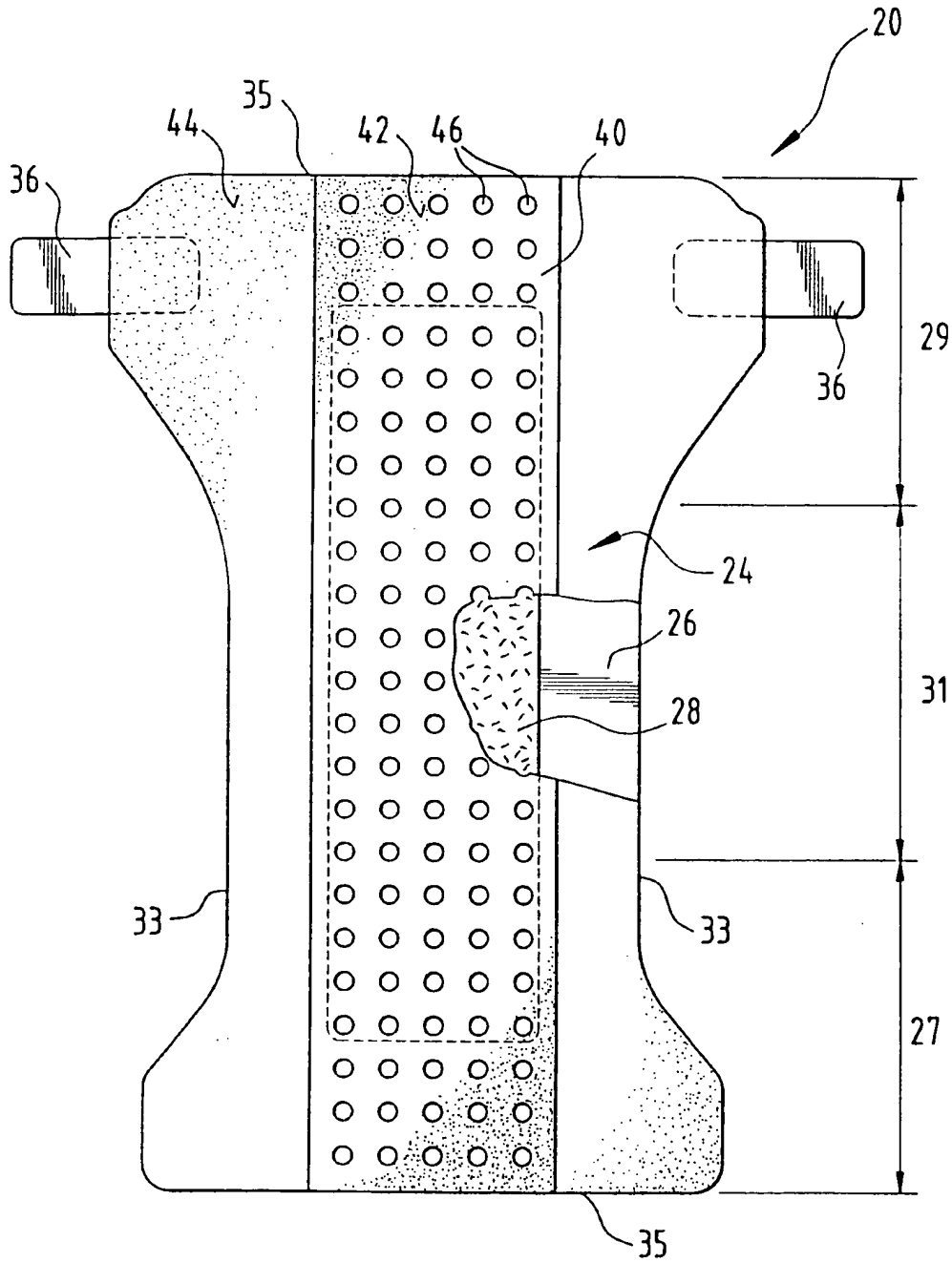
## WHAT IS CLAIMED IS:

1. A method of forming a laminate web comprising a liquid pervious first material  
5 and a liquid pervious second material, said method comprising the steps of:
  - a) feeding a first material through a nip formed by a first pair of heated rollers  
one of said rollers having a smooth outer surface and the other roller having an  
outer surface with a plurality of projections extending from said outer surface,
  - b) feeding a second material through said nip formed by the pair of rollers  
10 described in a), such that said first and second materials are apertured with a  
plurality of apertures and bonded together to form a laminate, said apertures  
having a fused perimeter;
  - c) cooling said laminate web to solidify said fused perimeter of said apertures;  
and
  - 15 d) feeding said laminate through a nip formed by a second pair of rollers to break  
said solidified fused perimeter of said apertures.
2. The method of claim 1 wherein said second material having a hydrophilicity  
which is greater than the hydrophilicity of said first material
- 20 3. The method of either claim 1 or claim 2 wherein said first pair of rollers have the  
same velocity.
4. The method of any one of the preceding claims wherein the second pair of rollers  
25 have the same velocity.
5. The method of any one of the preceding claims wherein the laminate web is  
cooled by blowing cool air onto the laminate web.
- 30 6. The method of any one of the preceding claims wherein said second pair of  
rollers each have a smooth outer surface.
7. The method of any one of the preceding claims wherein the peripheral linear  
speed of the second pair of rollers is greater than the peripheral linear speed of  
35 the first pair of rollers.

- 8. The method of any one of the preceding claims wherein said first and second materials comprise nonwoven webs.
- 9. The method of any one of the preceding claims wherein said second material has  
5 a width greater than that of said first material.
- 10. The method of any one of the preceding claims wherein said first material and/or said second material is slit into multiple strips prior to being fed through said nip formed by the pair of rollers described in a).

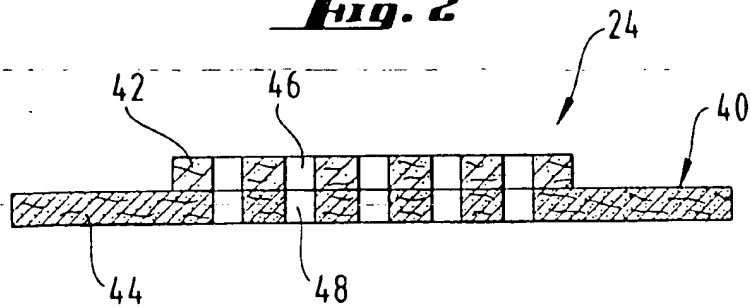
10

**Fig. 1**

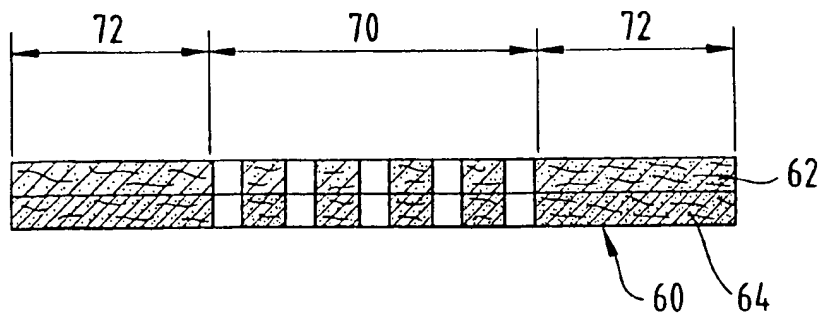


2/6

**Fig. 2**

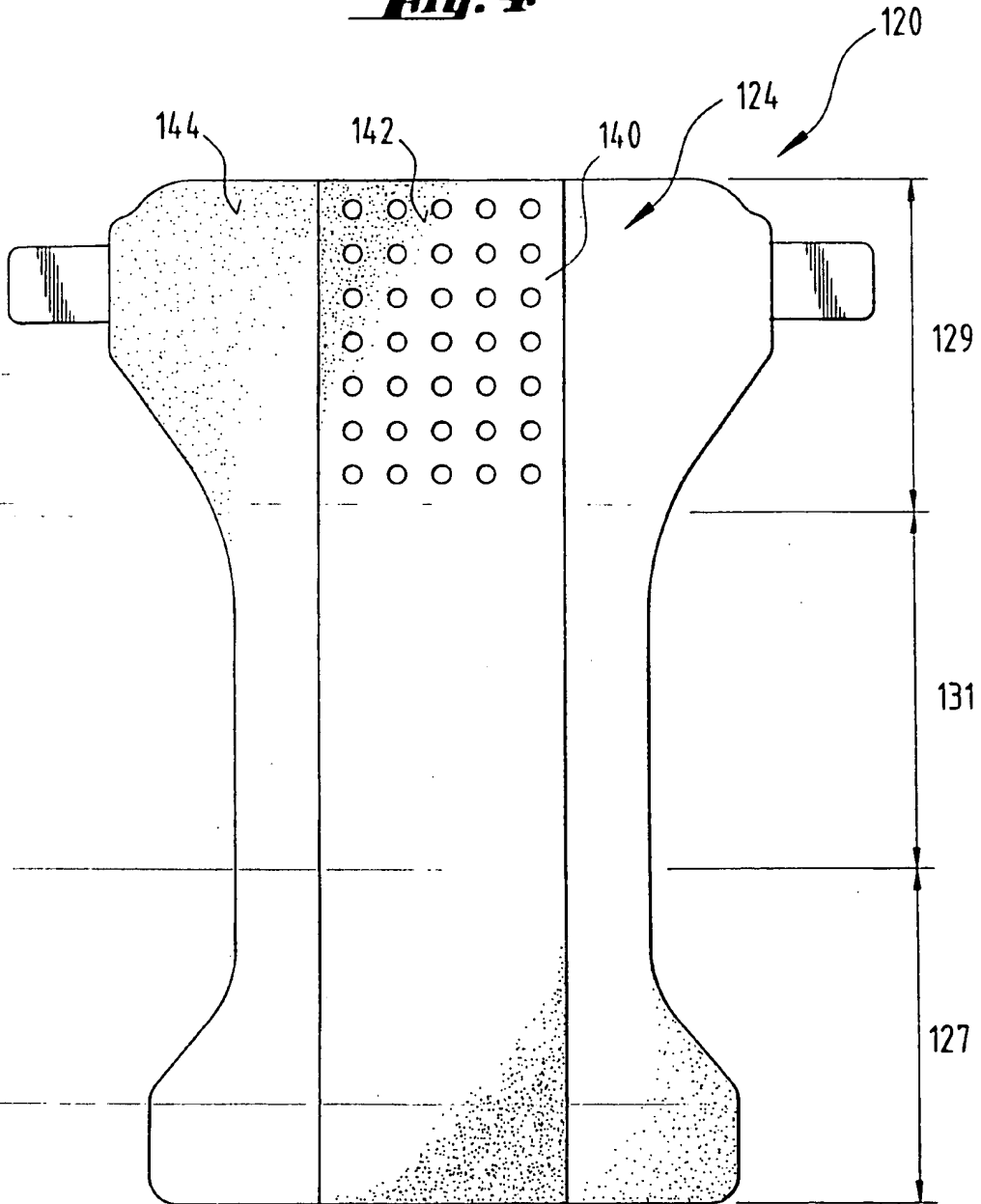


**Fig. 3**



3/6

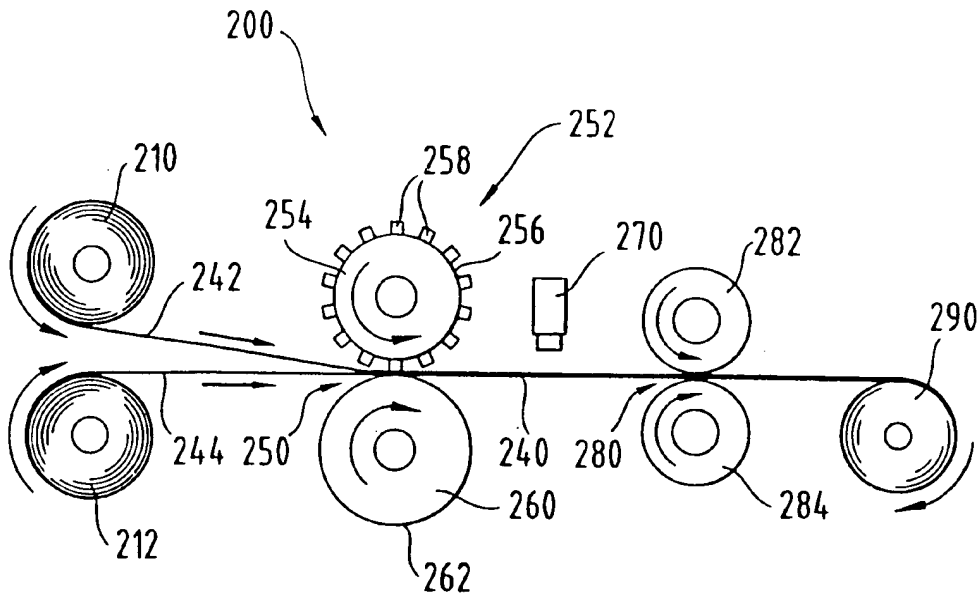
**Fig. 4**





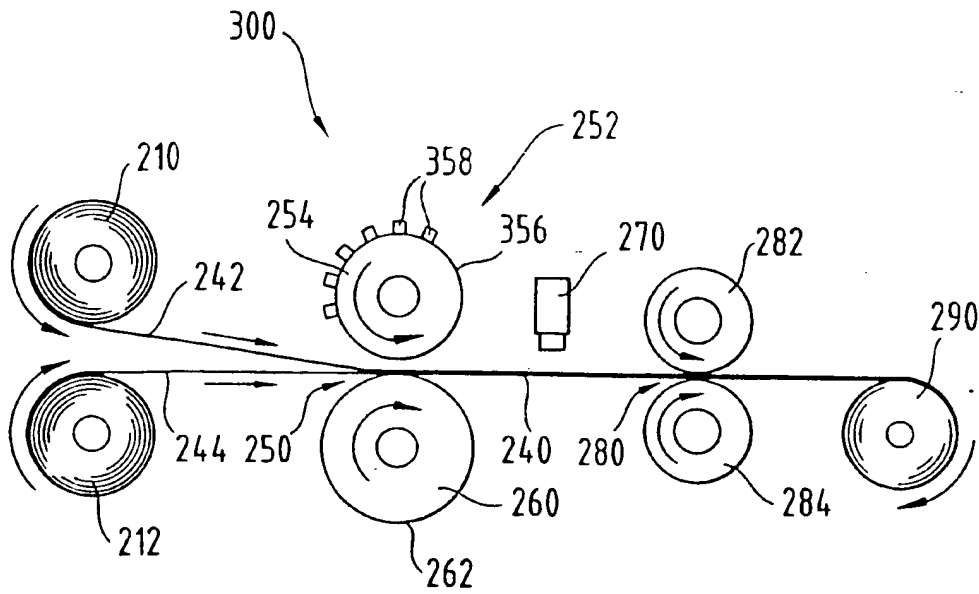
4/6

**Fig. 5**

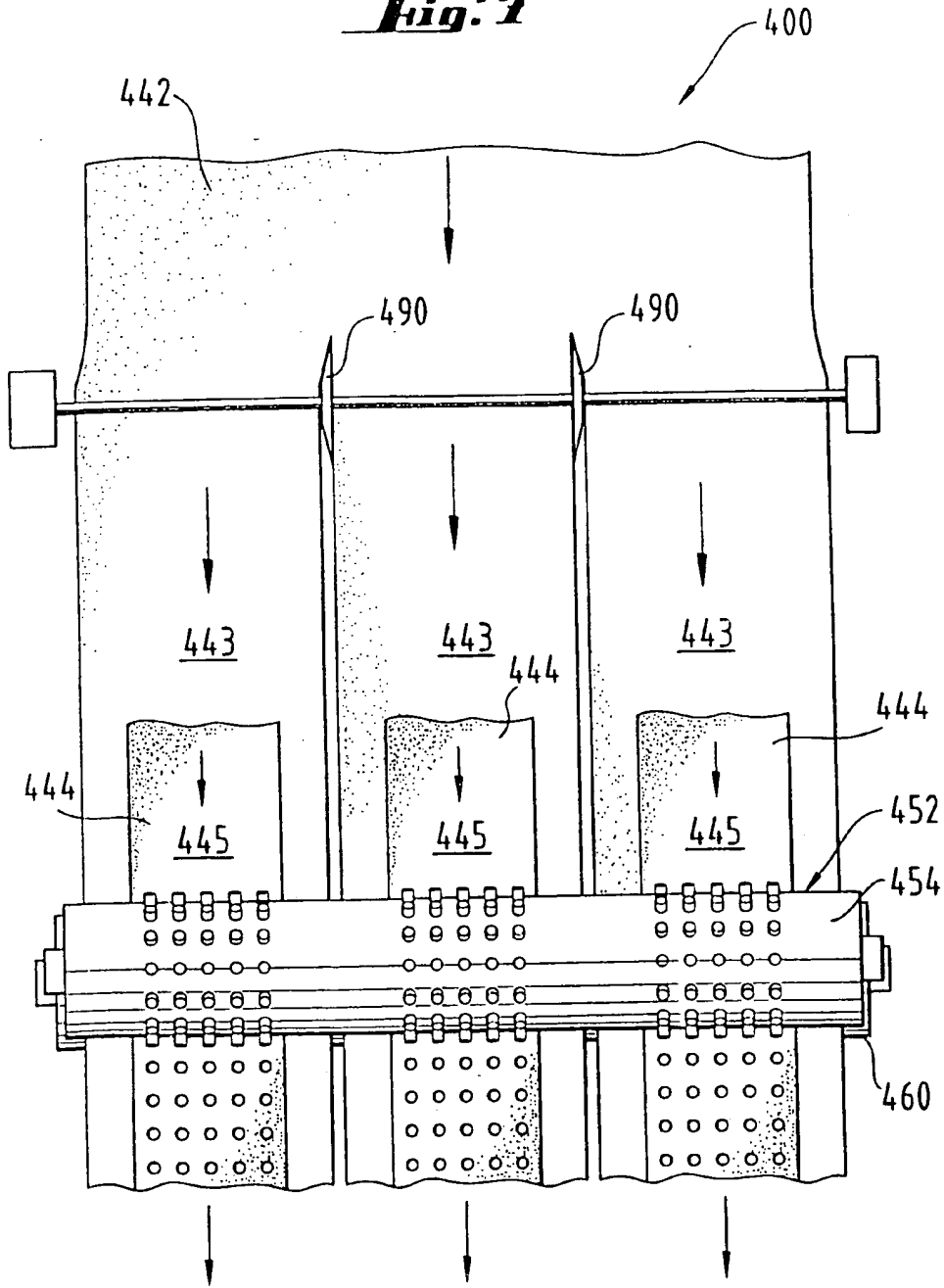


5/6

**Fig. 6**



**Fig. 7**



INTERNATIONAL SEARCH REPORT

International Application No

PCT/US 99/09095

A. CLASSIFICATION OF SUBJECT MATTER  
IPC 6 B32B31/00 A61F13/15

According to International Patent Classification (IPC) or to both national classification and IPC

B. FIELDS SEARCHED

Minimum documentation searched (classification system followed by classification symbols)

IPC 6 B32B A61F D04H

Documentation searched other than minimum documentation to the extent that such documents are included in the fields searched

Electronic data base consulted during the international search (name of data base and, where practical, search terms used)

C. DOCUMENTS CONSIDERED TO BE RELEVANT

Category	Citation of document, with indication, where appropriate, of the relevant passages	Relevant to claim No.
X	US 4 758 297 A (CALLIGARICH ELIO) 19 July 1988 (1988-07-19) the whole document	1-3,8
A	---	4-7,9,10
A	EP 0 598 970 A (PANTEX SRL) 1 June 1994 (1994-06-01)	
A	WO 97 11662 A (PROCTER & GAMBLE) 3 April 1997 (1997-04-03)	
A	PATENT ABSTRACTS OF JAPAN vol. 011, no. 327 (M-635), 24 October 1987 (1987-10-24) & JP 62 109621 A (DAIKI SURITSUTAA KOGYO:KK), 20 May 1987 (1987-05-20) abstract	
	-/--	

Further documents are listed in the continuation of box C.

Patent family members are listed in annex.

\* Special categories of cited documents:

"A" document defining the general state of the art which is not considered to be of particular relevance  
"E" earlier document but published on or after the international filing date  
"L" document which may throw doubts on priority claim(s) or which is cited to establish the publication date of another citation or other special reason (as specified)  
"O" document referring to an oral disclosure, use, exhibition or other means  
"P" document published prior to the international filing date but later than the priority date claimed

"T" later document published after the international filing date or priority date and not in conflict with the application but cited to understand the principle or theory underlying the invention  
"X" document of particular relevance; the claimed invention cannot be considered novel or cannot be considered to involve an inventive step when the document is taken alone  
"Y" document of particular relevance; the claimed invention cannot be considered to involve an inventive step when the document is combined with one or more other such documents, such combination being obvious to a person skilled in the art.  
"Z" document member of the same patent family

Date of the actual completion of the international search

23 July 1999

Date of mailing of the international search report

29/07/1999

Name and mailing address of the ISA

European Patent Office, P.B. 5818 Patentlaan 2  
NL - 2280 HV Rijswijk  
Tel. (+31-70) 340-2040, Tx. 31 651 epo nl.  
Fax: (+31-70) 340-3016

Authorized officer

Soederberg, J

Form PCT/ISA/210 (second sheet) (July 1992)

INTERNATIONAL SEARCH REPORT

Intern. Appl. Application No.

PCT/US 99/09095

C.(Continuation) DOCUMENTS CONSIDERED TO BE RELEVANT		
Category *	Citation of document, with indication, where appropriate, of the relevant passages	Relevant to claim No.
A	PATENT ABSTRACTS OF JAPAN vol. 011, no. 028 (M-557), 27 January 1987 (1987-01-27) & JP 61 199929 A (MEIWA SANGYO KK), 4 September 1986 (1986-09-04) abstract	
A	EP 0 687 757 A (INT PAPER CO) 20 December 1995 (1995-12-20)	
A	US 5 554 246 A (ANWYLL JR JAMES) 10 September 1996 (1996-09-10)	

# INTERNATIONAL SEARCH REPORT

Information on patent family members

Intern. Patent Application No

PCT/US 99/09095

Patent document cited in search report	A	Publication date	Patent family member(s)	Publication date
US 4758297	A	19-07-1988	NONE	
EP 0598970	A	01-06-1994	AT 137433 T	15-05-1996
			BR 9304738 A	24-05-1994
			CA 2103196 A, C	18-05-1994
			CN 1087302 A, B	01-06-1994
			CZ 9302443 A	18-05-1994
			DE 69210403 D	05-06-1996
			DE 69210403 T	05-09-1996
			DK 598970 T	03-06-1996
			ES 2086111 T	16-06-1996
			GR 3019813 T	31-08-1996
			HU 67098 A, B	28-02-1995
			JP 6198780 A	19-07-1994
			KR 134079 B	21-04-1998
			US 5709829 A	20-01-1998
			US 5814389 A	29-09-1998
WO 9711662	A	03-04-1997	US 5628097 A	13-05-1997
			AU 7019096 A	17-04-1997
			CA 2233236 A	03-04-1997
			CN 1202100 A	16-12-1998
			EP 0852483 A	15-07-1998
JP 62109621	A	20-05-1987	JP 1679630 C	13-07-1992
			JP 3043053 B	01-07-1991
JP 61199929	A	04-09-1986	JP 1632166 C	26-12-1991
			JP 2057013 B	03-12-1990
EP 0687757	A	20-12-1995	US 5567501 A	22-10-1996
			CA 2151194 A	16-12-1995
			JP 2813156 B	22-10-1998
			JP 8060511 A	05-03-1996
			US 5656119 A	12-08-1997
			US 5830555 A	03-11-1998
US 5554246	A	10-09-1996	CA 2161276 A	13-07-1996
			FR 2729328 A	19-07-1996
			JP 8230089 A	10-09-1996
			US 5773123 A	30-06-1998

Form PCT/ISA/210 (patent family annex) (July 1995)